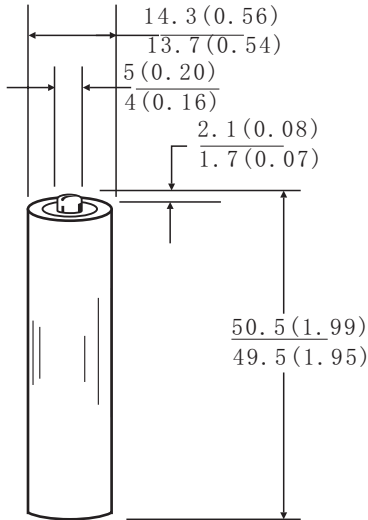


## Camelion R6P-Aluminum Foil

## SUPER HEAVY DUTY BATTERY



### Dimensions



Unit: mm(inch)

### Specifications

**Chemical System :** Zinc-Manganese Dioxide  
(ZincChloride Electrolyte)

**Camelion Model :** R6P

**IEC No. :** R6P

**ANSI/NEDA No. :** 15D ( AA)

**Average Weight :** 14g

**Dimension ( Ø x H ) :** 14.0<sup>±0.3</sup> x 50.0<sup>±0.5</sup> mm  
0.55<sup>±0.01</sup> x 1.97<sup>±0.02</sup> inch

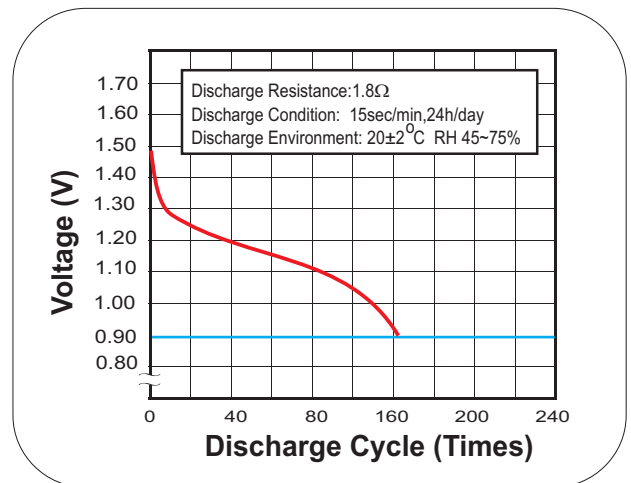
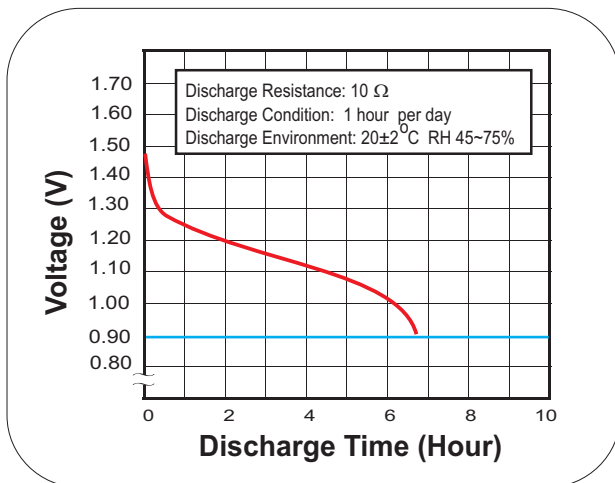
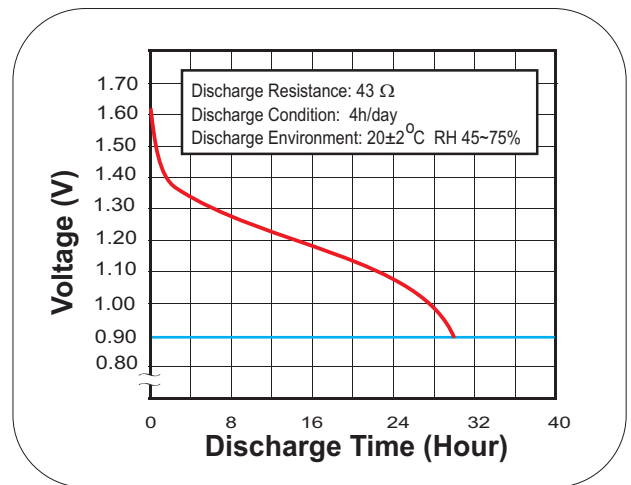
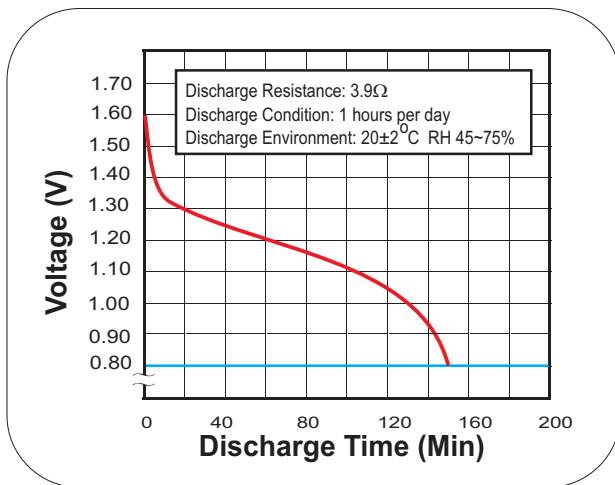
**Terminals :** Flat

**Nominal Voltage :** 1.5Volts

**Average Capacity :** 1220 mAh to 0.8 volts

(20±2 °C , Rated capacity at 25 mA continuous drain )

**Jacket :** Aluminum Foil Label



**Notice:**

Environmental elements comply with RoHS requirements. This information is subject to change without prior notice and for reference only. It should not be used as a basis for a product guarantee or warranty. For additional information, please consult your nearest Camelion Sales Office or Distributor or visit our website at: [www.camelionbattery.com](http://www.camelionbattery.com).