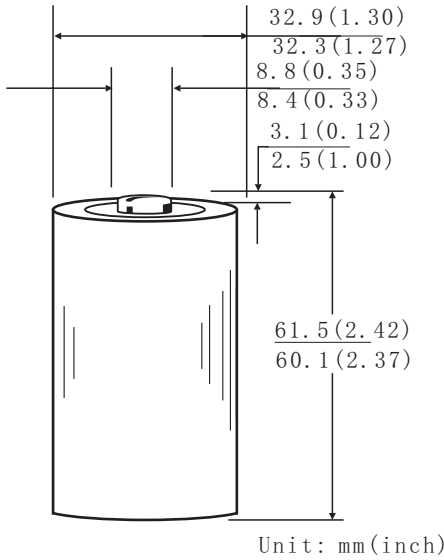


Camelion R20P-Aluminum Foil

SUPER HEAVY DUTY BATTERY



Dimensions



Specifications

Chemical System : Zinc-Manganese Dioxide
(ZincChloride Electrolyte)

Camelion Model : R20P

IEC No. : R20P

ANSI/NEDA No. : 13D (D)

Average Weight : 86g

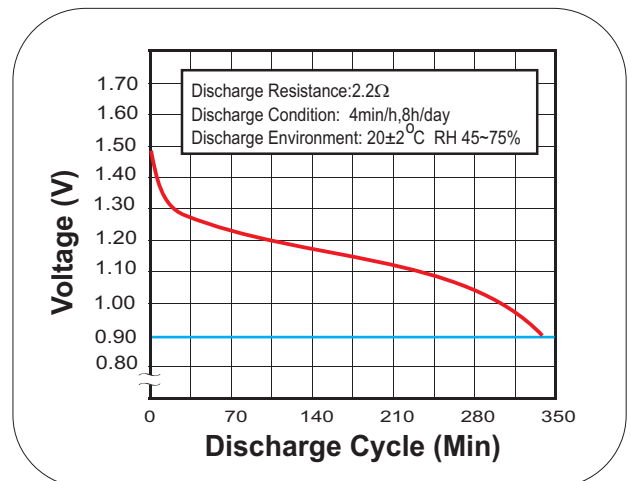
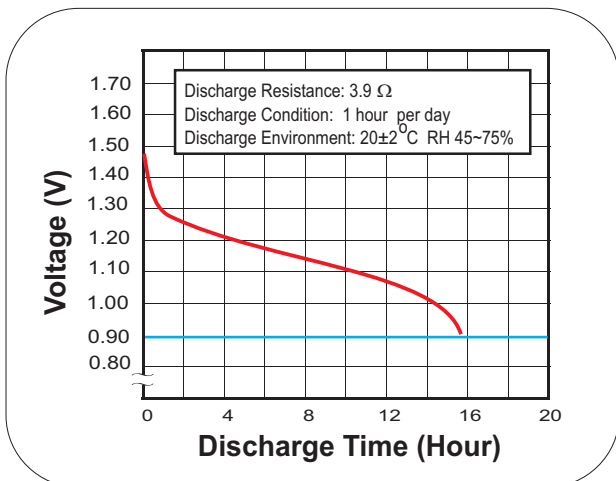
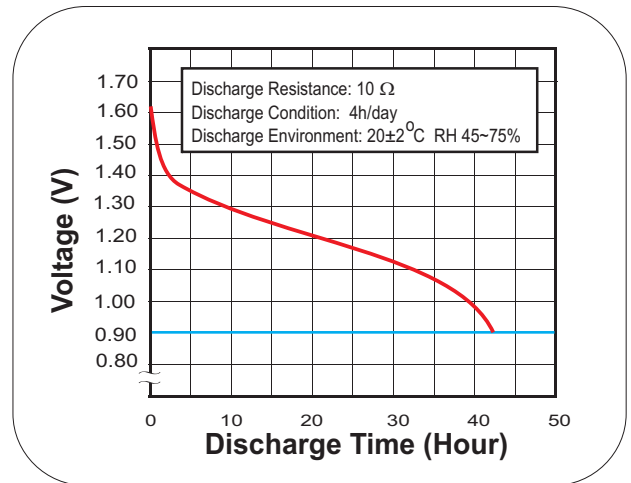
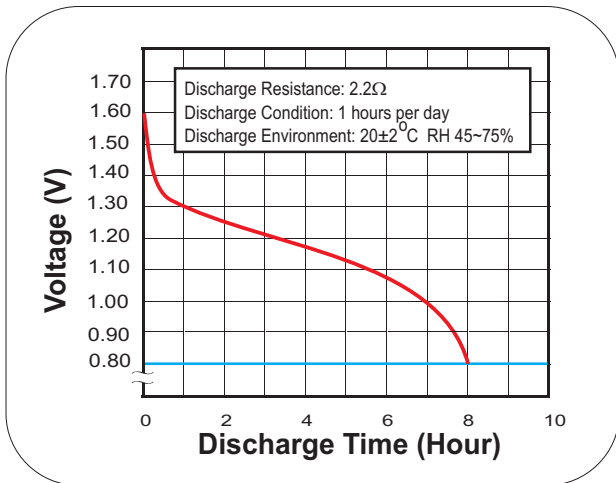
Dimension (Ø x H) : 32.6^{±0.3} x 60.8^{±0.7} mm
1.28^{±0.01} x 2.39^{±0.03} inch

Terminals : Flat

Nominal Voltage : 1.5Volts

Average Capacity : 8025 mAh to 0.8 volts
(20±2 °C , Rated capacity at 25 mA continuous drain)

Jacket : Aluminum Foil Label



Notice:

Environmental elements comply with RoHS requirements. This information is subject to change without prior notice and for reference only. It should not be used as a basis for a product guarantee or warranty. For additional information, please consult your nearest Camelion Sales Office or Distributor or visit our website at: www.camelionbattery.com.