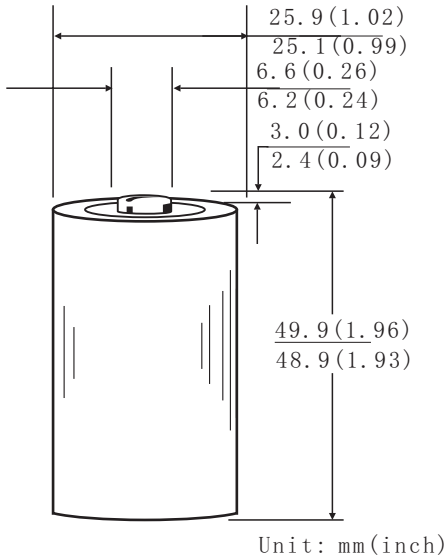


Camelion R14P-Aluminum Foil

SUPER HEAVY DUTY BATTERY



Dimensions



Specifications

Chemical System : Zinc-Manganese Dioxide
(ZincChloride Electrolyte)

Camelion Model : R14P

IEC No. : R14P

ANSI/NEDA No. : 14D (C)

Average Weight : 42g

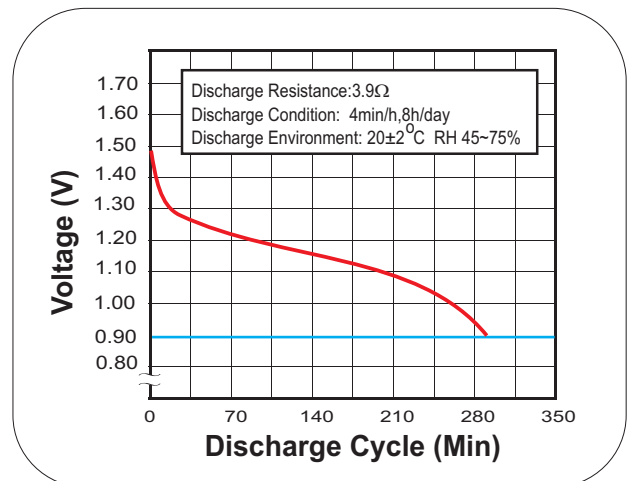
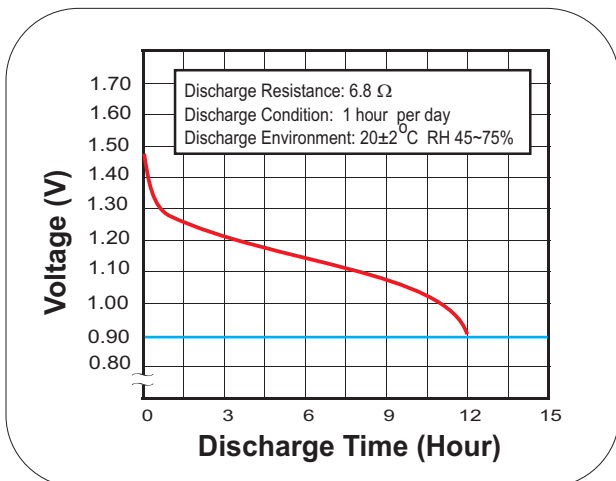
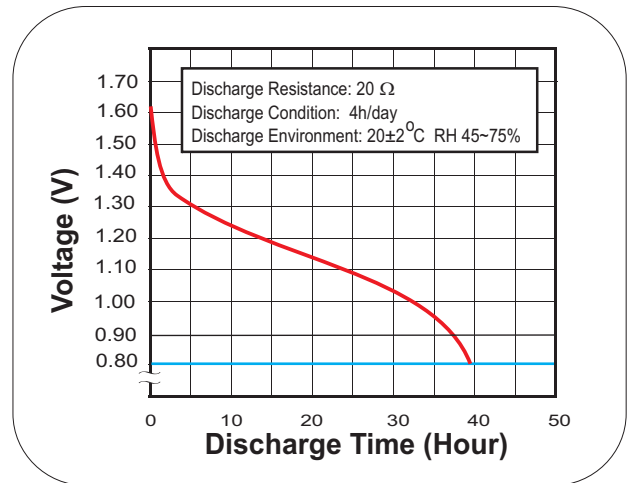
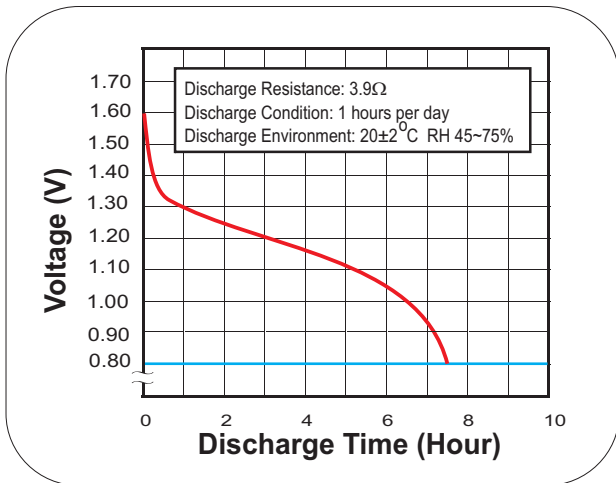
Dimension (Ø x H) : 25.5^{±0.4} x 49.4^{±0.5} mm
1.0^{±0.02} x 1.94^{±0.02} inch

Terminals : Flat

Nominal Voltage : 1.5Volts

Average Capacity : 3850 mAh to 0.8 volts
(20±2°C, Rated capacity at 25 mA continuous drain)

Jacket : Aluminum Foil Label



Notice:

Environmental elements comply with RoHS requirements. This information is subject to change without prior notice and for reference only. It should not be used as a basis for a product guarantee or warranty. For additional information, please consult your nearest Camelion Sales Office or Distributor or visit our website at: www.camelionbattery.com.