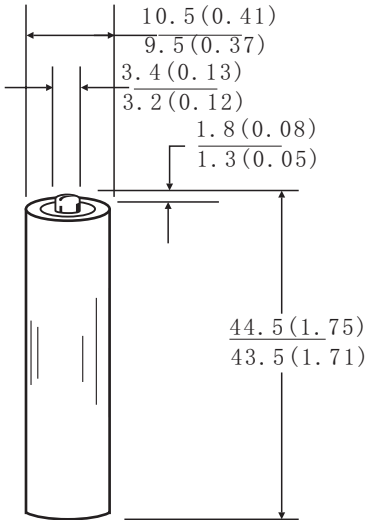


Camelion R03P-Aluminum Foil

SUPER HEAVY DUTY BATTERY



Dimensions



Unit: mm(inch)

Specifications

Chemical System : Zinc-Manganese Dioxide
(ZincChloride Electrolyte)

Camelion Model : R03P

IEC No. : R03P

ANSI/NEDA No. : 24D (AAA)

Average Weight : 7.2g

Dimension (Ø x H) : 10.0^{±0.5} x 44.0^{±0.5} mm
0.40^{±0.02} x 1.73^{±0.02} inch

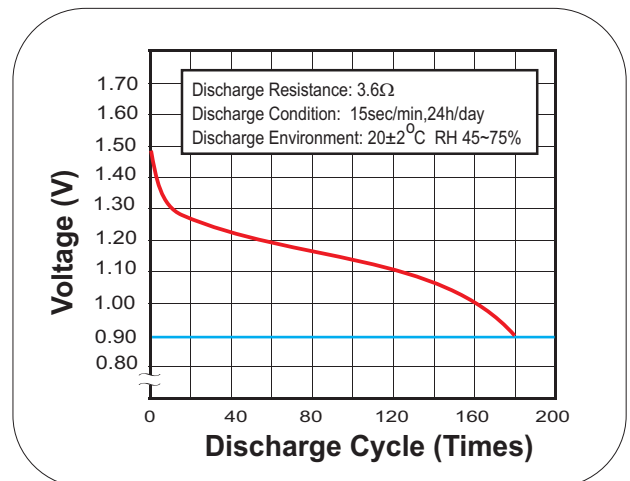
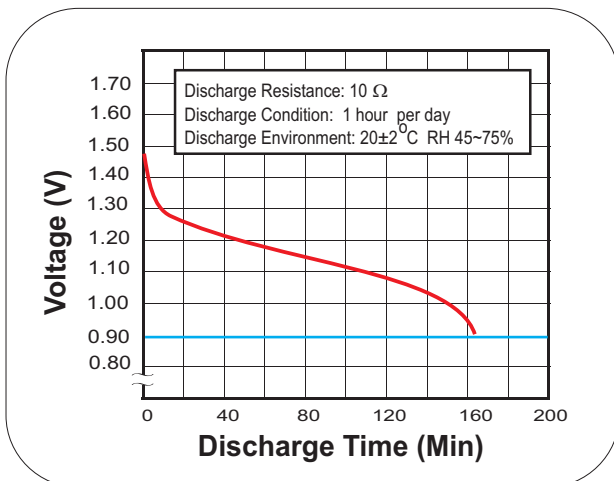
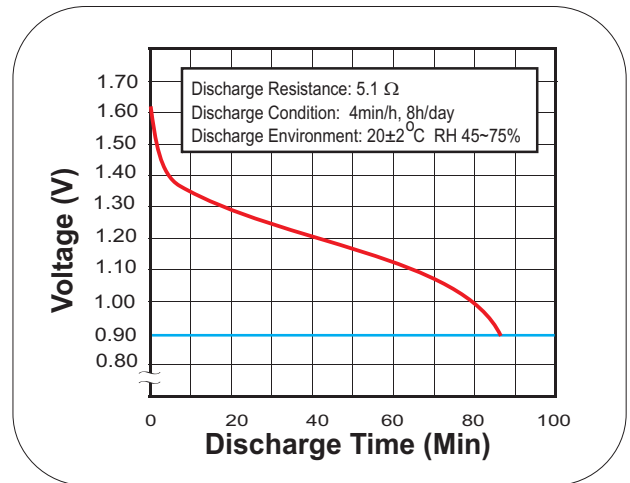
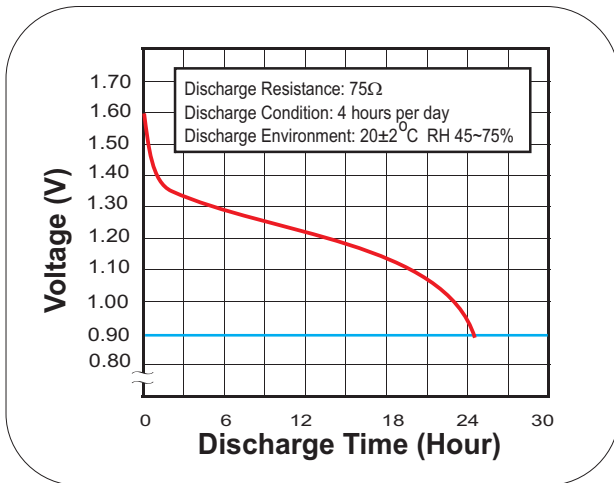
Terminals : Flat

Nominal Voltage : 1.5Volts

Average Capacity : 550 mAh to 0.8 volts

(20±2°C, Rated capacity at 25 mA continuous drain)

Jacket : Aluminum Foil Label



Notice:

Environmental elements comply with RoHS requirements. This information is subject to change without prior notice and for reference only. It should not be used as a basis for a product guarantee or warranty. For additional information, please consult your nearest Camelion Sales Office or Distributor or visit our website at: www.camelionbattery.com.