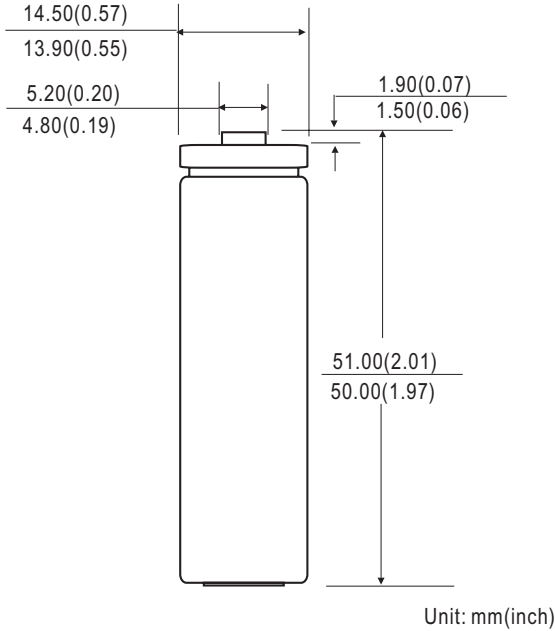


HIGH DURABILITY Ni-MH BATTERY

NH-AA2500AR

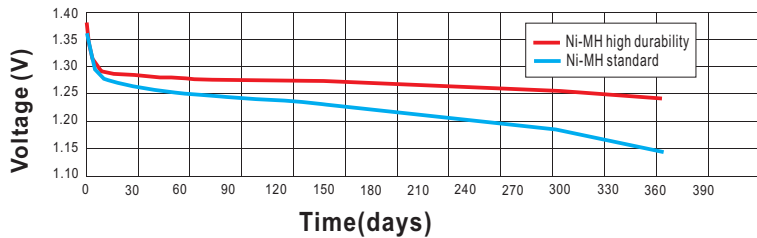
Dimensions:



Camelion Model	: NH-AA2500AR
Average Weight	: 29.0g
Dimension (Øx H)	: 14.2 ^{±0.3} x 51 ⁻¹ mm (0.56 ^{±0.01} x 2.01 ^{-0.04} inch)
Nominal Voltage	: 1.2 Volts
Nominal Internal Resistance	: 33m-ohm @ 1kHz
Capacity(420mA constantly discharge to 1.0V at 20±2°C)	
Typical	: 2500mAh
Minimum	: 2300mAh
Max. Charge Current	: 2500mA
Max. Discharge Current	: 5000mA
Relative Humidity	: 65±20%
Jacket	: PVC Label

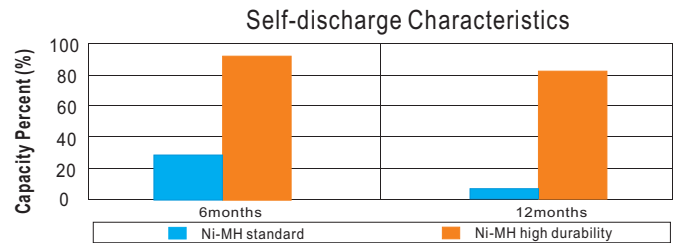
Storage for 365days

Measurement temperature: 20±5°C
Storage procedure: storage for 365days, measure the voltage and then perform capacity test



Residual Capacity after Storage

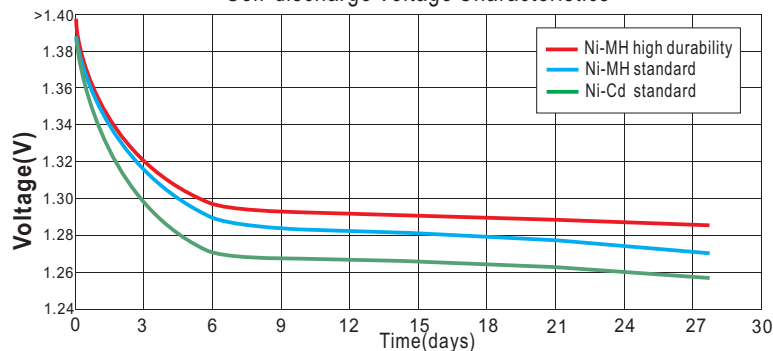
Measurement temperature: 20±5°C
Procedure : 0.1C charge for 16hrs;
Storage for 12 months; 0.2C discharge to 1.0V;



Standard Self Discharge

Measurement temperature: 20±5°C
Procedure : 0.1C charge for 16hrs;
Storage for 28days; 0.2C discharge to 1.0V;

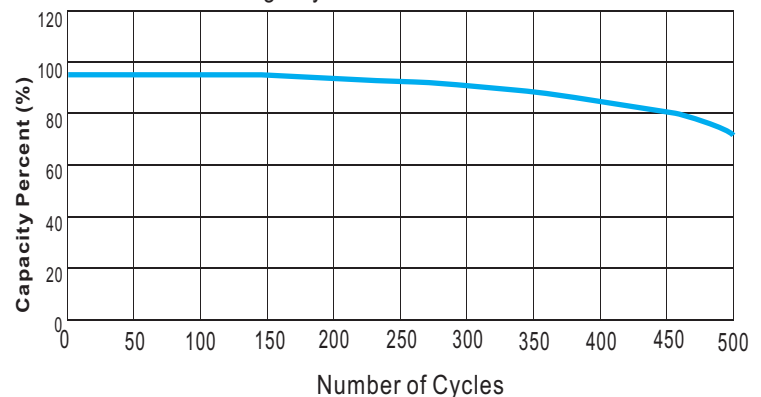
Self-discharge Voltage Characteristics



Superior Cycle Life of 1C

Measurement temperature: 20±5°C
Procedure : 1C charge for 72mins (-ΔV=10mv);
Rest for 60mins; 1C discharge to 1.0V; Rest for 60mins;

Discharge Cycle Life Characteristics



	Ni-MH high durability	Ni-MH standard	Ni-Cd standard
Residual Capacity	89.6%	80.3%	81.4%

Notice:

Environmental elements comply with RoHS requirements. This information is subject to change without prior notice and for reference only. It should not be used as a basis for a product guarantee or warranty. For additional information, please consult your nearest Camelion Sales Office or Distributor or visit our website at: www.camelionbattery.com.