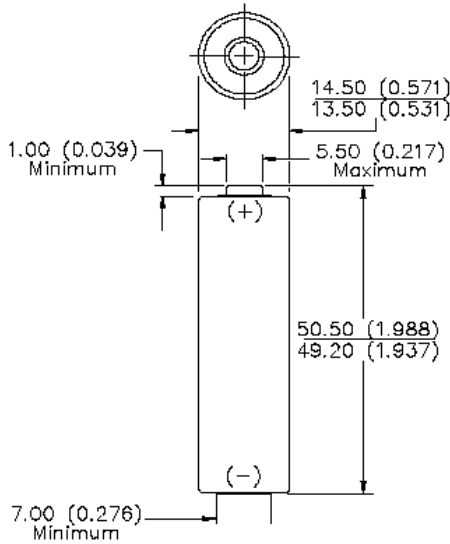


**PRIMARY BATTERY:** Lithium/Iron Disulfide

Document Title: FB06290

## FR6

Dimensions:



Unit: mm(inch)

Chemical System : Lithium/Iron Disulfide (Li/FeS<sub>2</sub>)

Camelion No. : FR6

IEC No. : FR6/AA

ANSI/NEDA No. : 15-LF

Average Weight : 14.5g

Dimension (∅ x H) : 14.5x50.50mm

0.571x1.988inch

Nominal Voltage : 1.5V

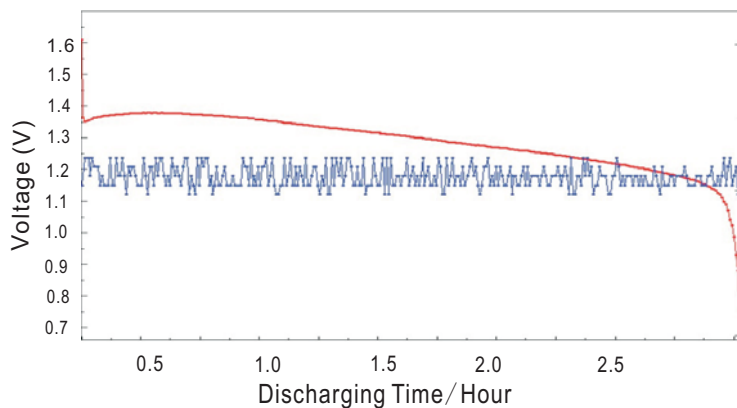
Work Voltage : 1.30V at constant current 200mA discharge

Ambient Temperature

Discharge : -20~60°C

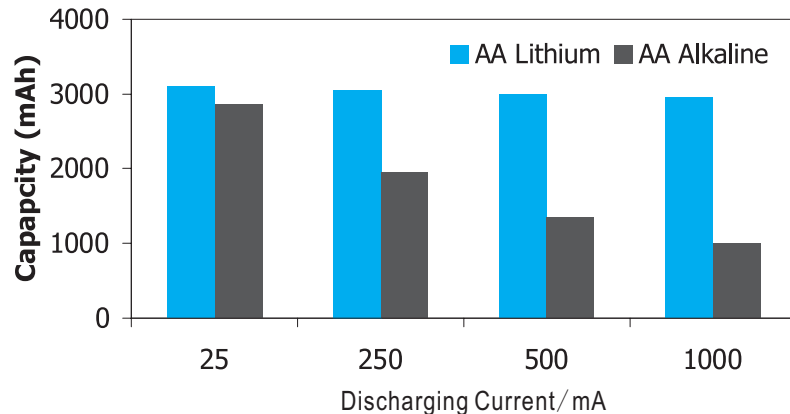
Shell Life : 10~15 years

### 1000mA Discharging Characteristics



### Milliamp-Hours Capacity

Constant Current Discharge to 0.9 Volts at 21°C

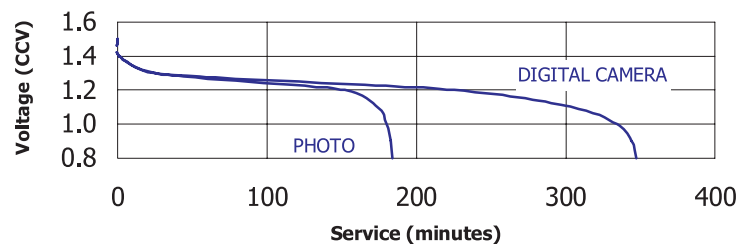
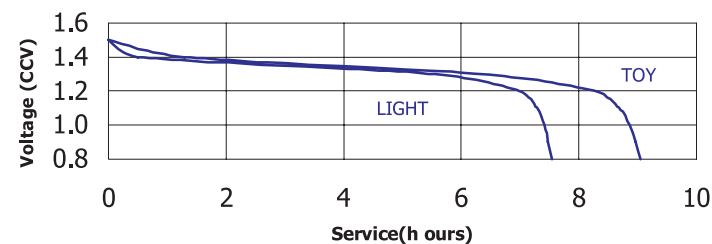


**PORTABLE LIGHTING**  
3.3ohm LIF

**TOY**  
3.9ohm 1hr/day

**PHOTOFLASH**  
1000mA 10sec/min 1hr/day

**DIGITAL CAMERA**  
1.5/65K mW 2/. 1/27. 9s 10x



**Notice:**

This information is subject to change without prior notice and for reference only. It should not be used as a basis for a product guarantee or warranty. For additional information, please consult your nearest Camelion Sales Office or Distributor or visit our website at: [www.camelionbattery.com](http://www.camelionbattery.com).