



Engineering Specification (产品规格书)

Product (品名) : **USB Car Charger (车载充电器)**
Customer (客户名称) :
Customer No. (客户编号) :
Model No. (型号) : DD-801A
Design No. (生产编号) :
Date (日期) : 2010-11-30

Customer Approval (使用方)

Signature (客户承认签名)	Approval Date (承认日期)

Approval (承制方)

Revision (版本)	Prepared by (制表)	Reviewed by (审核)	Approved by (批准)
1.0			



Contents (目录)

		Page
0	Revision History and Deviation (更新记录)	2
1	Scope (适用范围)	3
2	Electrical Performance and Tests (电气特性)	3
3	Mechanical Tests and Requirements (可靠性试验)	3
4	Mechanical Characteristics (机械性能)	4
5	Environmental Conditions (环境条件)	4
6	Safety Standards (执行标准)	4
7	Cautions (警告)	4
8	Drawings (机械图)	5
9	LABEL (铭牌)	5
10	PCB Diagram (印制板路图)	6
11	SCH (电路图)	6

Model Number	Date	Revision	Page
DD-801A	2010-11-30	1.0	1/6



0 Revision History and Deviation (更新记录)

0.1 Revision History (历史记录)

Revision (版本)	Date (日期)	By (制作)	Description of Change (说明)
1.0	2010-11-30		New release (第一版)

0.2 Notice of Deviation (客户意见建议)

Customer Request (客户要求)	Deviation for samples (对样品建议)	Mass production (量产结果)
Notice of items to be completed before mass production (客户提出的意见建议须在量产前完成)		
Description (描述)	L/T	Remarks (备注)

Model Number	Date	Revision	Page
DD-801A	2010-11-30	1.0	2/6



1 Scope (适用范围)

This specification shall be applied to charger 5.0V/2100mA
本规格适用于 5.0V/2100mA 充电器

2 Electrical Performance and Tests (电气特性)

2.1 Input (输入特性)

Voltage (额定输入电压) : DC12V ~ 24V

Input Voltage Range(输入电压范围): DC10 V ~ 30V

Current (输入电流) : Maximum (满载时最大输入电流) 1.5A @ 12VDC and maximum (满载时最大输入电流) 0.8A @ 24VDC

Efficiency (效率) $\geq 60\%$

2.2 Output (输出特性)

Voltage (输出电压) : 5.0V \pm 0.25V

Current (输出电流) : 2.1A

Ripple & Spike Noise(输出电压纹波、噪音纹波、噪音): Maximum 250mV P-P

Note: 20MHz bandwidth ripple & noise is measured by using 0.1uF C.C. & 47uF E.C. bypassed at the output connector.

(输出端并联 0.1uF 与 47uF 电容, 限制示波器带宽 20MHz 时, 测得电压纹波小于 250mV p-p)

2.3 Short Circuit Protection (短路保护)

The charger is protected that a short happened between the output terminals and shall not result in a fire hazard, any damage to this Charger and will be normal operation automatically while the short is removed. The maximum short current is 4500mA Max (Load=0V)

(输出短路后不损坏该制品, 短路恢复正常输出, 输出短路电流 4500 mA Max)(Load=0V)

2.4 LED Indicate Function(LED 指示功能)

Shine Blue(亮蓝灯)

2.5 aging 4 hours test (老化测试)

Use 2.5 ohm cement resistor aging hours, the full load meet 4.7V, After 4 hours aging, when full load 5V, the output current is 2100mA

(负载测试用 5 欧姆水泥电阻老化测试 4 个小时, 在满载情况下负载电压不能低于 4.7V. 当老化测试完毕之后, 输出电压 5V 时, 输出电流为 2100mA)

3 Mechanical Tests and Requirements (可靠性试验)

3.1 Drop Test (跌落试验)

Drop from a height of 1.0m to a 50mm hardboard.

Drop 4 times total, each time on a different product surfaces.

Model Number	Date	Revision	Page
DD-801A	2010-11-30	1.0	3/6



Expected result: after drop test, the unit should still operate properly. Small nicks or slight deformations are acceptable.

(制品从 100cm 处落下 3 次，落下的方向任意，落在硬木板上，实验后与实验前状态比较没有机械破损等不良状况,且不出现电器性能损坏)

4 Mechanical Characteristics (机械性能)

4.1 Appearance (外观)

Visual inspection the case have no visual abnormality, no obvious nick, burr and other mechanical damage, outer metal have no rust. Use limit sample to check for any failures. (目视检查，无外观异常，表面无明显划痕、毛刺及其它机械损伤，外露金属部分无锈，其它限度根据样品确认。)

4.2 Case/Resin Materials(外壳材质)

Black/White;PC materials(黑色/白色; PC 材质)

5 Environmental Conditions (环境条件)

5.1 Operating temperature (工作温度)

0°C to 40°C, best at 25°C (20%~90% RH)

5.2 Storage temperature (储藏温度)

-20°C to 60°C, best at 25°C (10%~95% RH)

6 Safety Standards (执行标准)

CE/FCC

7 Cautions (警告)

Children should use product only under adult supervision.

(儿童须在成人的监督下使用本产品)

Please read the user manual before using.

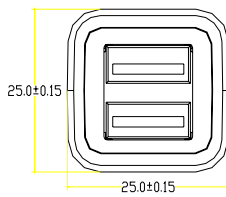
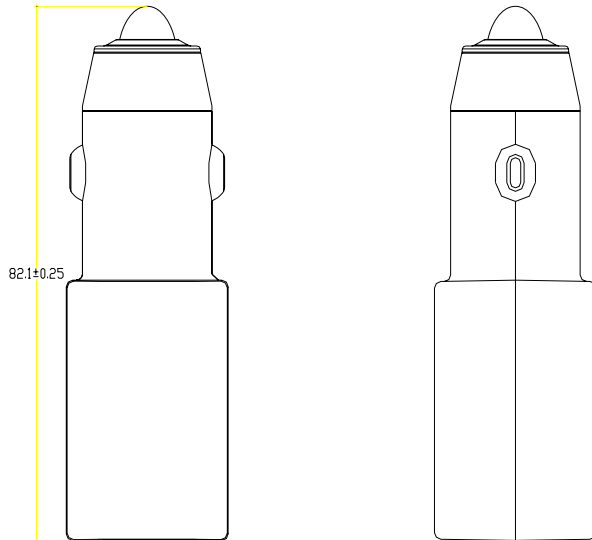
(在使用之前请详细阅读使用说明书)

Do not disassemble or reassemble the adapter.

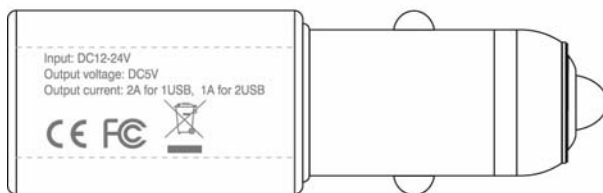
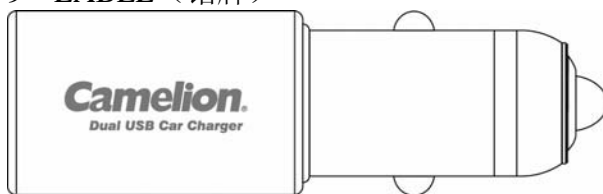
(请勿分解或组装本品)

Model Number	Date	Revision	Page
DD-801A	2010-11-30	1.0	4/6

8 Mechanical Drawing (机械图)

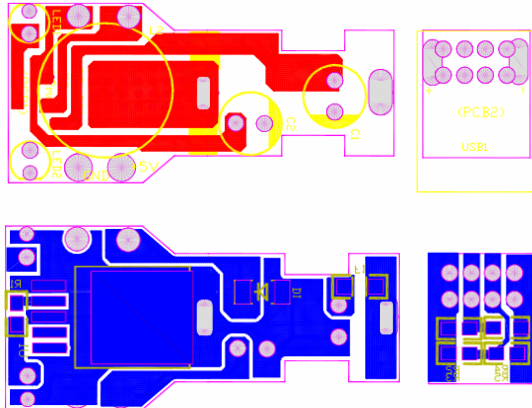


9 LABEL (铭牌)

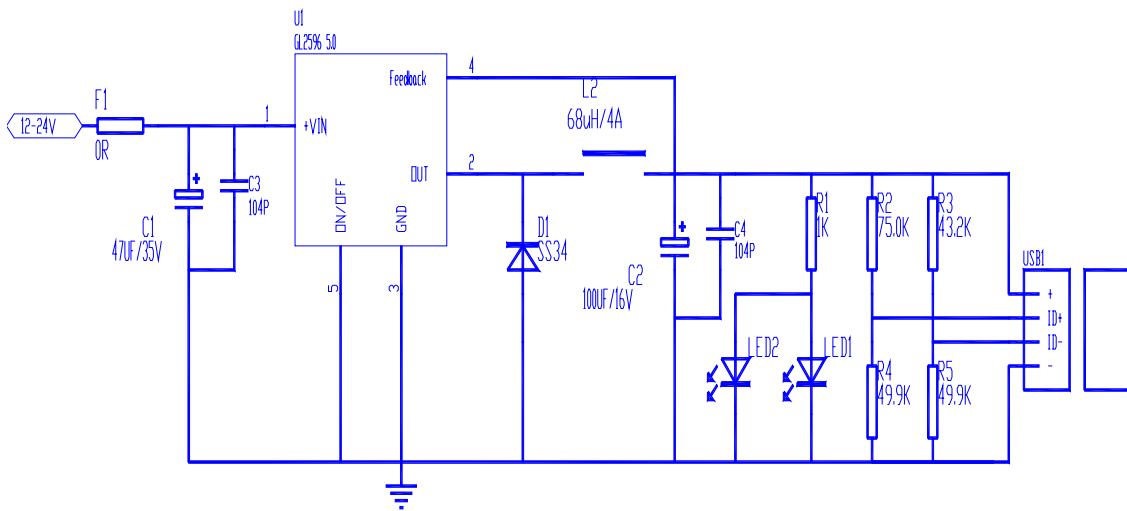


Model Number	Date	Revision	Page
DD-801A	2010-11-30	1.0	5/6

10 PCB Diagram (印制板路图)



10 SCH (电路图)



Model Number	Date	Revision	Page
DD-801A	2010-11-30	1.0	6/6