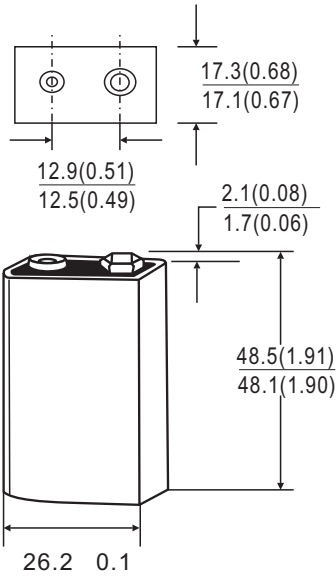


SUPER HEAVY DUTY BATTERY

6F22



Unit: mm(inch)

Chemical System : Zinc -Manganese Dioxide
(Zinc Chloride Electrolyte)

Camelion No. : 6F22

IEC No. : 6F22

ANSI/NEDA No. : 1604D(9V)

Average Weight : 36.4g

Dimension(LxWxH) : $26.2^{±0.1} \times 17.2^{±0.1} \times 48.3^{±0.2}$ mm

$1.03^{±0.004} \times 0.69^{±0.004} \times 1.90^{±0.008}$ inch

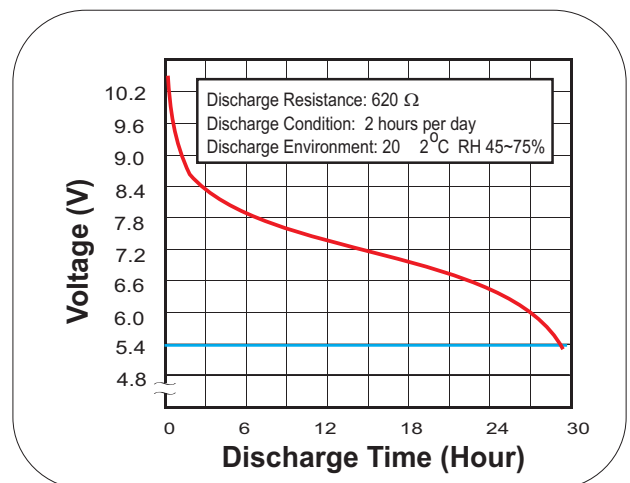
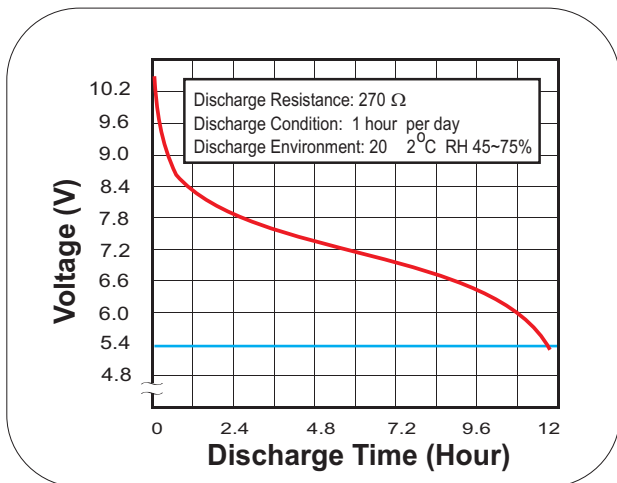
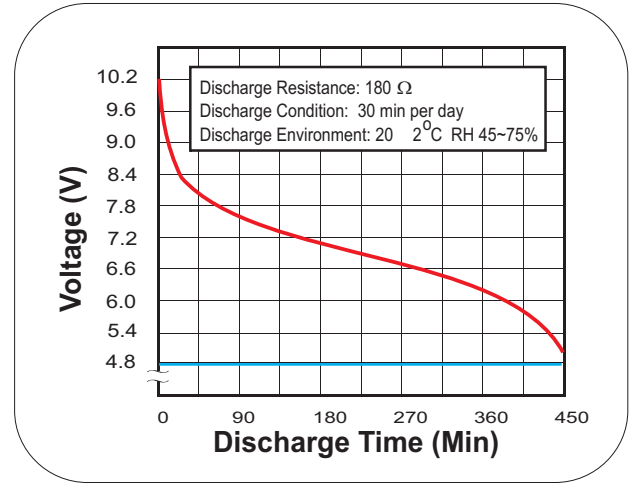
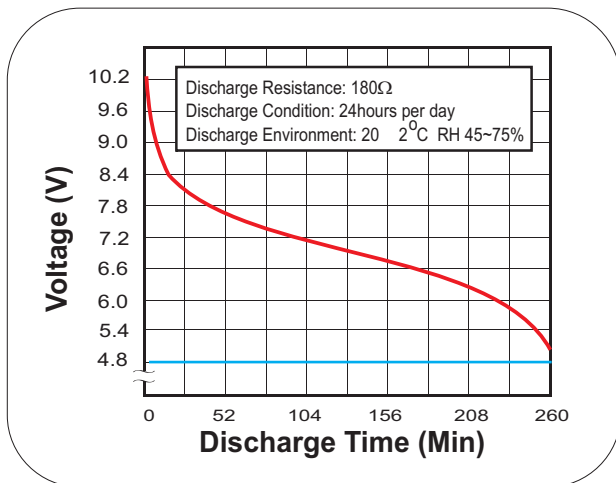
Terminals : Mininature Snap

Nominal Voltage : 9.0Volts

Average Capacity : 450mAh to 4.8 volts

(20 °C, Rated capacity at 25 mA continuous drain)

Jacket : Metal



Notice:

Environmental elements comply with RoHS requirements. This information is subject to change without prior notice and for reference only. It should not be used as a basis for a product guarantee or warranty. For additional information, please consult your nearest Camelion Sales Office or Distributor or visit our website at: www.camelionbattery.com.